

ELIT

Down conductor bracket double HVC-85 cable

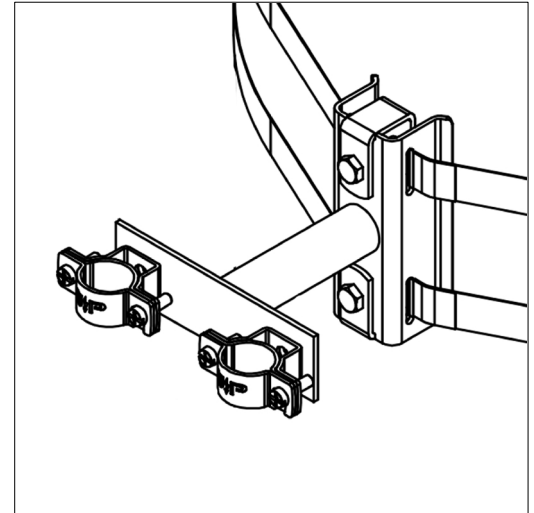
Double down conductor attachment with Ø914mm fastening strap for attaching high-voltage cable HVC-85

Technical description

Double down conductor attachment for HVC-85 high voltage cable. Supplied with two fastening straps that can be stretched up to Ø914 mm around pipes or columns. Holds HVC-85 cable 100 mm from the base / attachment point.

Advantages:

- Allows attachment of double HVC-85 down conductor
- Can be attached to a wide range of different mast diameters
- Made of stainless steel and provides 100mm distance to the substrate
- Quick and easy to attach and for universal use



Product name/ Art.nr/ GTIN	ELIT NLF-2xHV85-100mmFB22mmA2/ 40170085/ 7070810036387
According to:	EN62561-4
Mounting type conductor	With screw clamp
Suitable for diameter round conductor	28 - 28 Millimetre
Material of holder	Stainless steel 304 (V2A)
Mounting type holder	Tension band
Material of carrier	Stainless steel 304 (V2A)
Material of saddle clamp	Stainless steel 304 (V2A)
Material base part	Stainless steel 304 (V2A)
Wall distance	100 - 100 Millimetre
Assembly height conductor holder	141 Millimetre